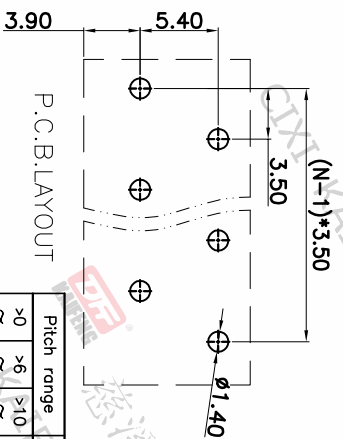
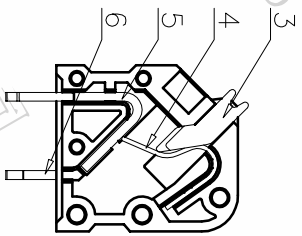
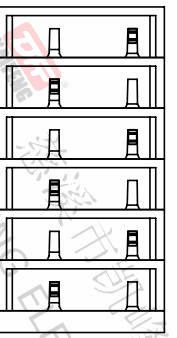
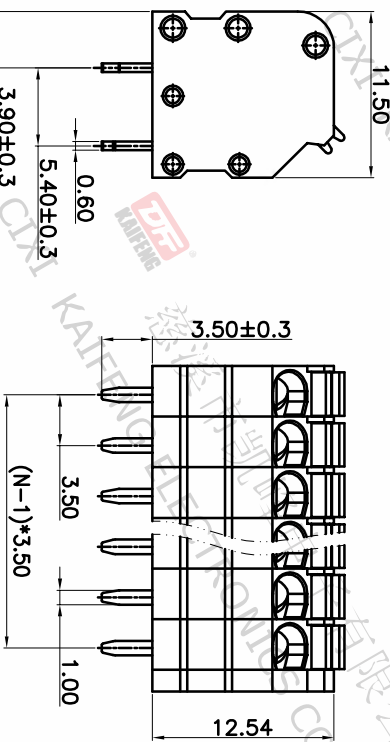
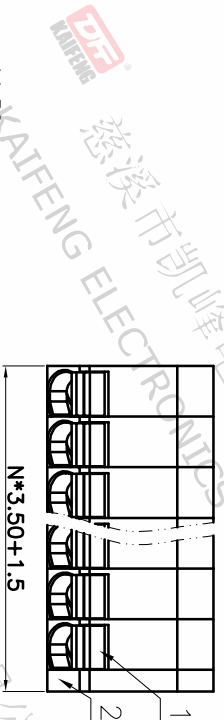


REV.	DESCRIPTION	DATE	DRAFTER	APPROVER
A1	DWG.REL	2020.05.28	DENG	JIN



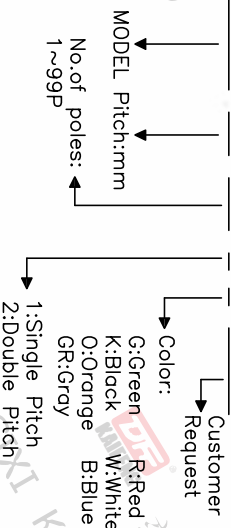
Pitch range	Nominal dimension range	Projection
>0	>30	0.1/10
>6	>60	0.1/10
>10	>100	0.1/10
~	~	~
6	100	~
10	150	~
24	>150	~
30	>150	~
±0.15	±0.30	±2'
±0.20	±0.30	±2'
±0.30	±0.50	±2'
±0.50	±0.70	±2'
±1.00	±1.00	±2'
±1.30	±1.30	±2'

DRAWING TYPE	CUSTOMER DRAWING
SCALE	1:1
DRAWING NO.	W15000392

SHEET	1 OF 1
DRAWING NO.	W15000392

- Material
  - ①Housing : PA66, UL94V-0
  - ②Cover : PA66, UL94V-0
  - ③Button : PA66, UL94V-0
  - ④Reed : Stainless steel
  - ⑤Pin header A: Copper alloy, Tin plated
  - ⑥Pin header B: Copper alloy, Tin plated
- Electrical UL IEC
  - Rated voltage : 300V 160V
  - Rated current : 9A 14A
  - Contact resistance : 20mΩ(Max)
  - Insulation resistance: 500MΩ/DC500V
  - Withstanding voltage : AC2500V/1min
  - Wire range: 26-16AWG 1.5mm<sup>2</sup>
- Mechanical
  - Operating temperature: -40℃~+105℃
  - Soldering temperature: 250℃±5/5sec
  - Strip length: 9-10mm
- RoHS compliance

HOW TO ORDER  
KF550A-3.5-XXP-1 X-XXXXX



PROJECTION	TITLE
UNIT	KF550A-3.5-XXP-1X
SHEET SIZE	A4
SERIES	KF550

**DF** 慈溪市凯峰电子有限公司  
CIXI KAIFENG ELECTRONICS CO.,LTD