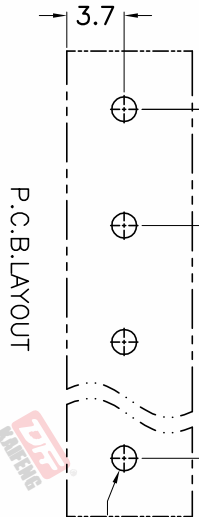
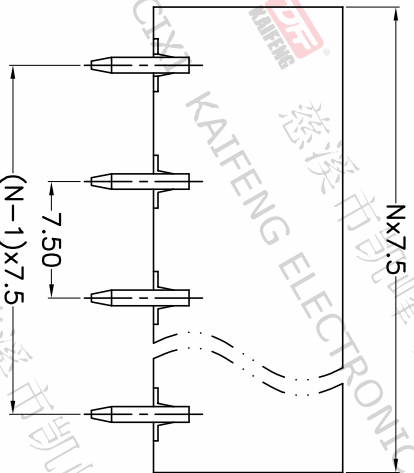
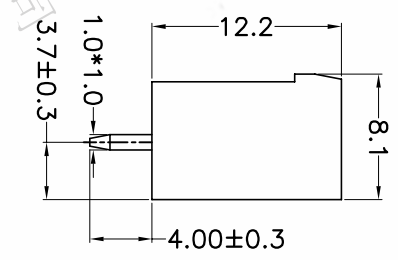
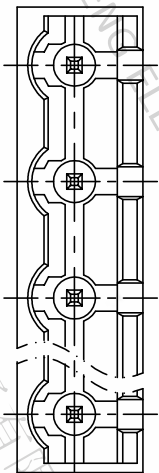
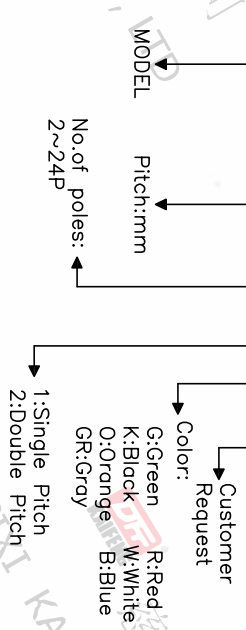


REV.	DESCRIPTION	DATE	DRAFTER	APPROVER
A1	DWG.REL	2020.5.18	ZHANG	JIN

- Material
 @Housing : PA66, UL94V-0
 @Pin header : Copper alloy, Tin plated
- Electrical
 UL IEC
 Rated voltage : 300V 400V
 Rated current : 15A 20A
 Contact resistance : 20mΩ(Max)
 Insulation resistance: 500MΩ/DC500V
 Withstanding Voltage : AC2500V/1min
- Mechanical
 Operating temperature: -40°C ~ +105°C
 Soldering temperature: 250°C ±5 / 5sec
- RoHS compliance

HOW TO ORDER
 KF2EDGCV-X-7.5-XXP-1 X-XXXXX



Pitch range	Nominal dimension range	□	□
>0	>30	0.1/10	□
>6	>60	□	□
~ 10	~ 100	□	□
~ 24	~ 150	□	□
±0.15	±0.30	±2°	□
±0.20	±0.50	□	□
±0.30	±0.70	□	□
±1.00	±1.30	□	□

DRAWING TYPE	CUSTOMER DRAWING
SCALE	1:1
SHEET	1 OF 1
DRAWING NO.	W10000102

PROJECTION	UNIT	TITLE
□	mm	KF2EDGCV-X-7.5-XXP-1X
□	A4	SHEET SIZE
□	A4	SERIES
□	KF2EDGCV-X	

DF 慈溪市凯峰电子有限公司
 CIXI KAIFENG ELECTRONICS CO.,LTD