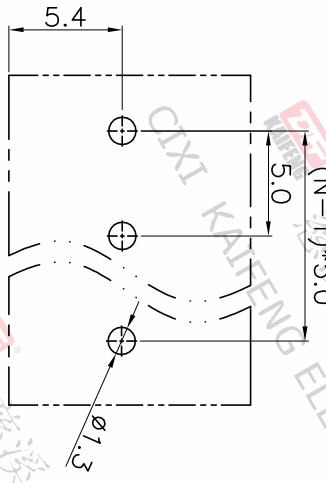
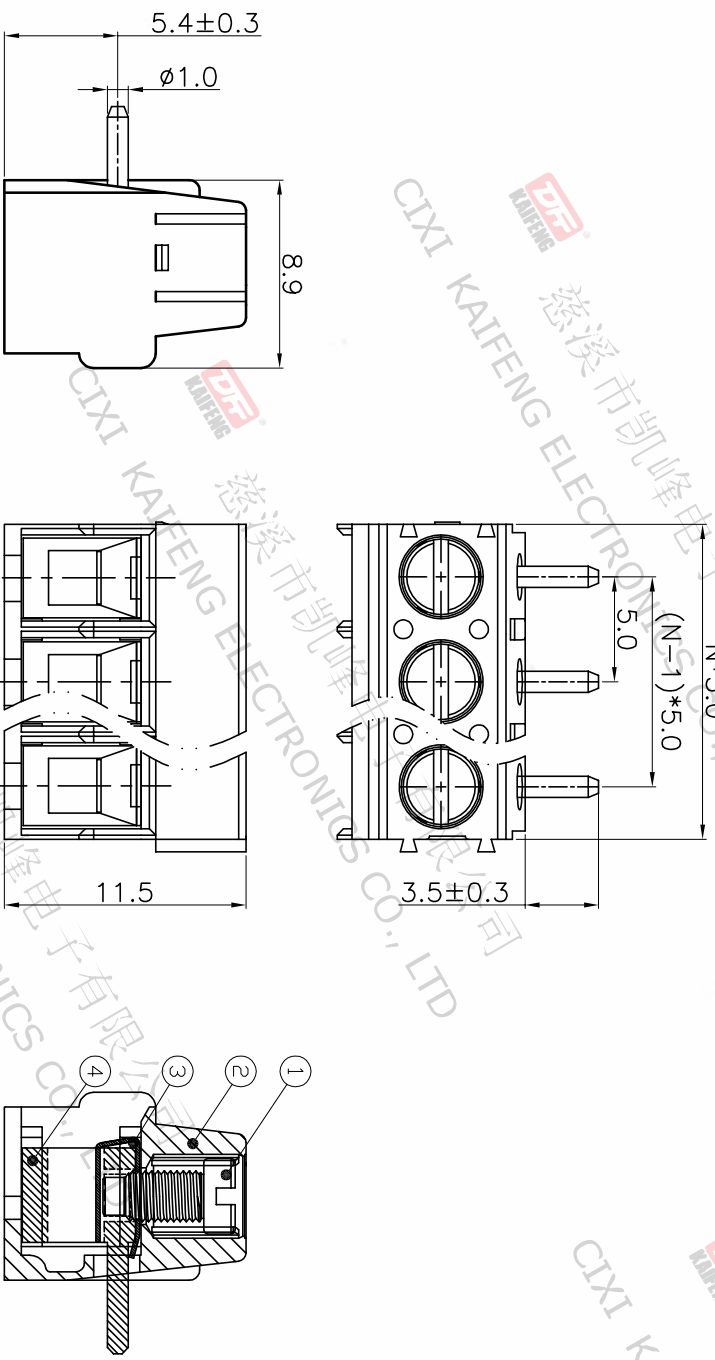


REV.	DESCRIPTION	DATE	DRAFTER	APPROVER
A1	DWG.REL	2020.05.17	DENG	JIN



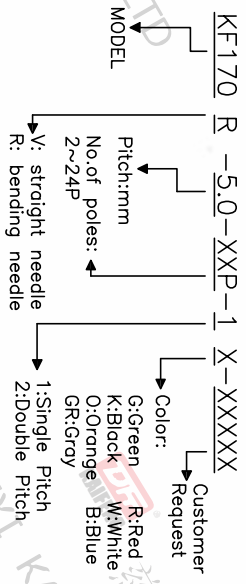
P.C.B. LAYOUT

Pitch range	Nominal dimension range	Projection
>0	>0	0.1/10
>6	>30	0.1/10
~6	~60	0.1/10
~10	~100	0.1/10
~24	~150	0.1/10
±0.15	±0.30	±2'
±0.20	±0.30	±2'
±0.30	±0.50	±2'
±0.70	±1.00	±2'
±1.00	±1.30	±2'

DRAWING TYPE	CUSTOMER DRAWING
SCALE	1:1
DRAWING NO.	W15000092

- Material
 ØScrews : M2.5 steel, Zinc plated,
 - slot type
 ØHousing : PA66, UL94V-0
 ØReed : Stainless steel
 ØPin header : Copper alloy, Tin plated
- Electrical
 UL IEC
 Rated voltage : 300V 250V
 Rated current : 15A 24A
 Contact resistance : 20mΩ(Max)
 Insulation resistance: 500MΩ/DC500V
 Withstanding Voltage : AC2000V/1min
 Wire range: 24-14AWG 2.5mm²
- Mechanical
 Operating temperature: -40°C~+105°C
 Soldering temperature: 250°C±5/5sec
 Torque: 0.4N.m (3.54Lb.in)
 Strip length: 5-6mm
- RoHS compliance

HOW TO ORDER



PROJECTION	TITLE
UNIT	KF170R-5.0-XXP-1X
SHEET SIZE	mm
SERIES	KF170

DFE
 慈溪市凯峰电子有限公司
 CIXI KAIFENG ELECTRONICS CO.,LTD