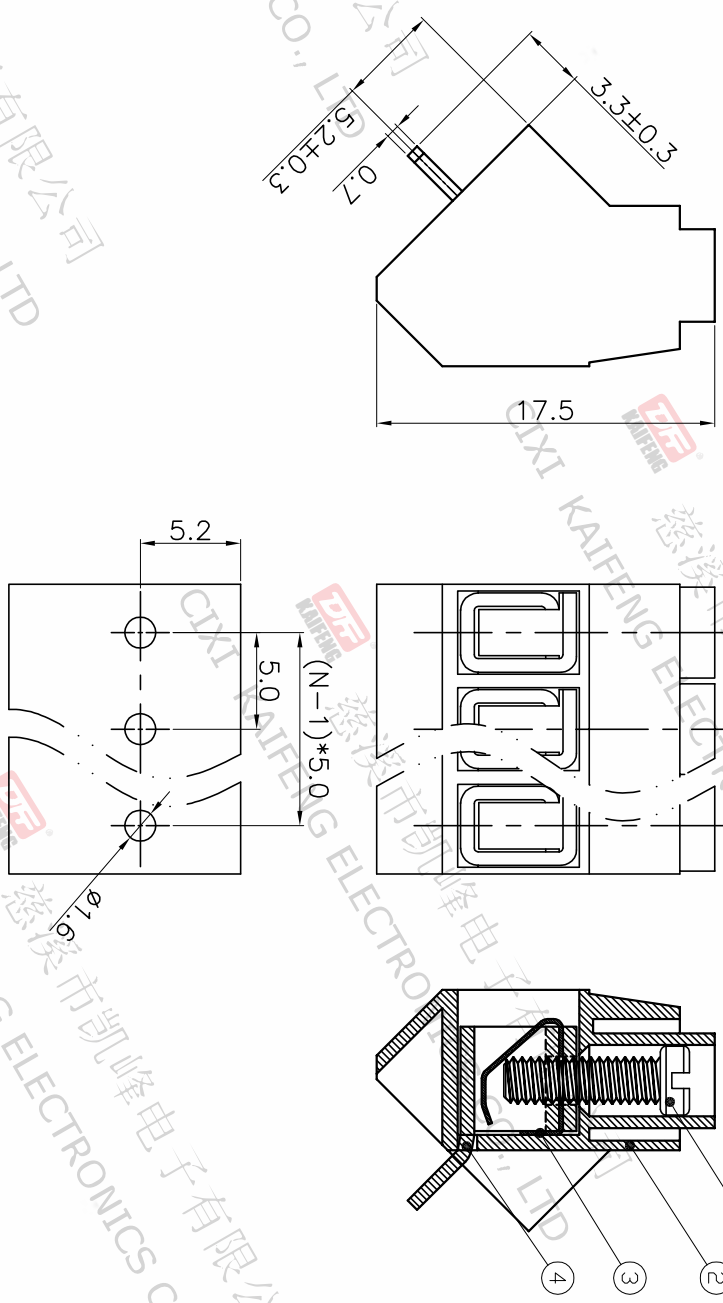
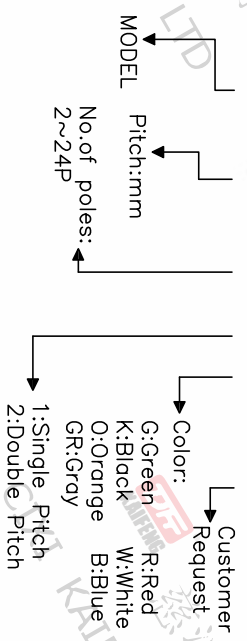


REV.	DESCRIPTION	DATE	DRAFTER	APPROVER
A1	DWG.REL	2020.05.17	DENG	JIN

- Material  
 ①Screws : M2.5 steel, Zinc plated,  
 ② slot type  
 ③Housing : PA66, UL94V-0  
 ④Reed : Copper alloy, Ni plated  
 or stainless steel  
 ⑤Pin header : Copper alloy, Tin plated
- Electrical  
 UL IEC  
 Rated voltage : 300V 250V  
 Rated current : 15A 22A  
 Contact resistance : 20mΩ(Max)  
 Insulation resistance: 500MΩ/DC500V  
 Withstanding Voltage : AC2000V/1min  
 Wire range: 22-14AWG 2.5mm<sup>2</sup>
- Mechanical  
 Operating temperature: -40°C~+105°C  
 Soldering temperature: 250°C±5 /5sec  
 Torque: 0.4N.m (3.54lbf.in)  
 Strip length: 5-6mm
- RoHS compliance

### HOW TO ORDER

KF168-5.0-XXP-1 X-XXXXX



P.C.B.LAYOUT

Pitch range	Nominal dimension range	PROJECTION
>0	>0	0.1/10
~6	~30	≤
~10	~60	±2'
~24	~100	
~30	~150	
±0.15	±0.30	
±0.20	±0.50	
±0.30	±0.70	
	±1.00	
	±1.30	

DRAWING TYPE	CUSTOMER DRAWING
SCALE	1:1
SHEET	1 OF 1
DRAWING NO.	W15000082

PROJECTION	TITLE
UNIT: mm	KF168-5.0-XXP-1X
SHEET SIZE: A4	SERIES: KF168

**DF** 慈溪市凯峰电子有限公司  
 CIXI KAIFENG ELECTRONICS CO.,LTD

