

| REV. | DESCRIPTION | DATE | DRAFTER | APPROVER |
|------|-------------|------------|---------|----------|
| A1 | DWG.REL | 2020.05.27 | DENG | JIN |

- Material
 - ØButton : PA66, UL94V-0
 - ØCover : PA66, UL94V-0
 - ØHousing : PA66, UL94V-0
 - ØReed : Stainless steel
 - ØPin header : Copper alloy, Tin plated

- Electrical

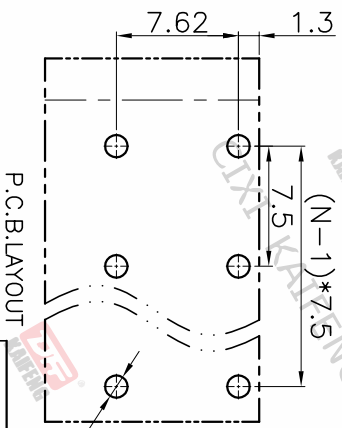
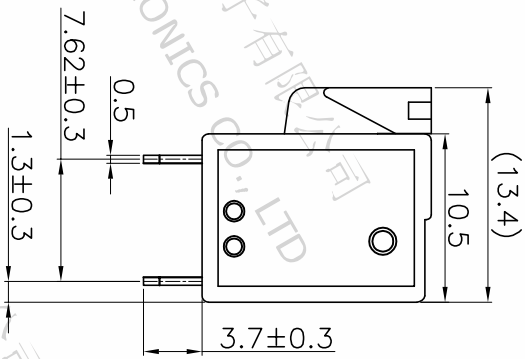
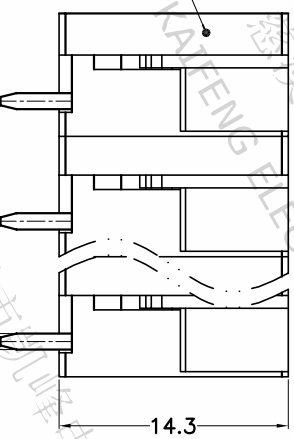
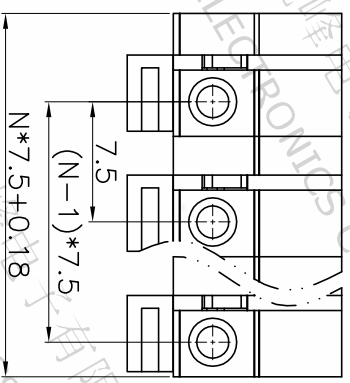
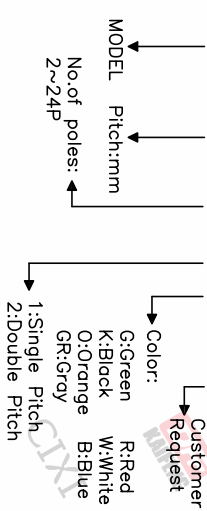
| | |
|--------------------------------------|--------------------|
| UL | IEC |
| Rated voltage : 300V | 450V |
| Rated current : 10A | 15A |
| Contact resistance : 20mΩ(Max) | |
| Insulation resistance : 500MΩ/DC500V | |
| Withstanding Voltage : AC2000V/1min | |
| Wire range : 22-14AWG | 1.5mm ² |

- Mechanical
 - Operating temperature: -40°C~+105°C
 - Soldering temperature: 250°C±5/5sec
 - Strip length: 10mm

• RoHS compliance

HOW TO ORDER

KF142V-7.5-XXP-1 X-XXXXX



P.C.B. LAYOUT

| Pitch range | Nominal dimension range | PROJECTION |
|-------------|-------------------------|------------|
| >0 | >0 | 0.1/10 |
| ~6 | ~30 | ~ |
| ~10 | ~60 | ~ |
| ~24 | ~100 | ~ |
| ~30 | ~150 | ~ |
| ±0.15 | ±0.30 | ±2° |
| ±0.20 | ±0.50 | |
| ±0.30 | ±0.70 | |
| | ±1.00 | |
| | ±1.30 | |

| DRAWING TYPE | CUSTOMER DRAWING |
|--------------|------------------|
| SCALE | 1:1 |
| SHEET | 1 OF 1 |
| DRAWING NO. | W11000152 |

| PROJECTION | UNIT | TITLE |
|------------|--------|-------------------|
| mm | A4 | KF142V-7.5-XXP-1X |
| SHEET SIZE | SERIES | |
| A4 | KF142 | |

DF 慈溪市凯峰电子有限公司
CIXI KAIFENG ELECTRONICS CO.,LTD

