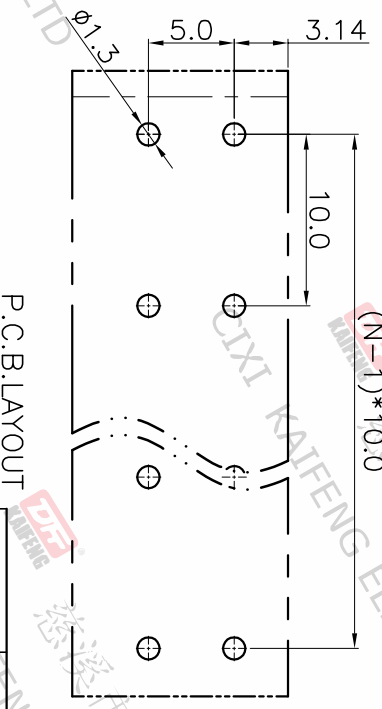
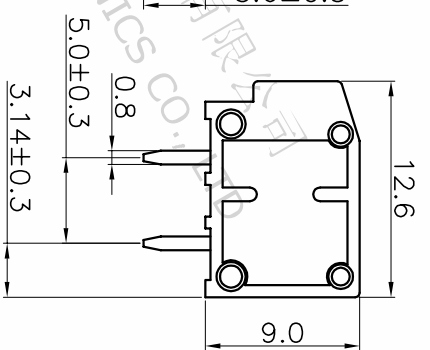
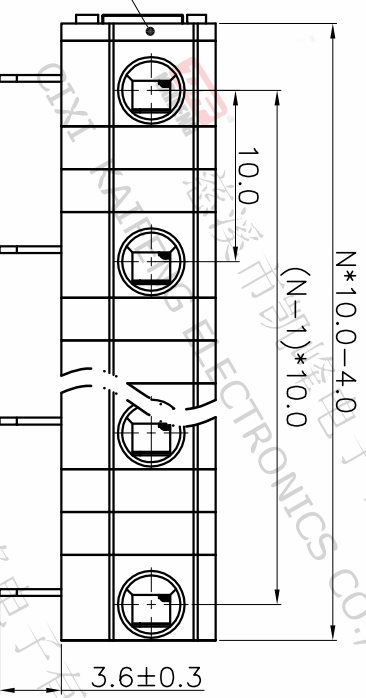
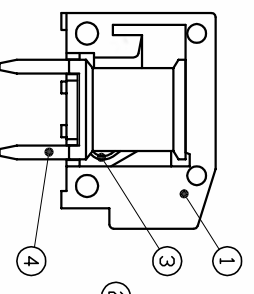
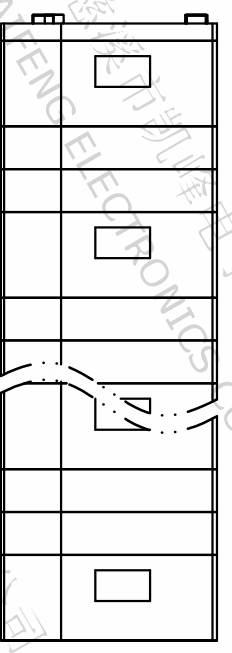


REV.	DESCRIPTION	DATE	DRAFTER	APPROVER
A1	DWG.REL	2020.05.28	DENG	JIN



P.C.B. LAYOUT

Pitch range	Nominal dimension range	PROJECTION
>0	>30	0.1/10
>6	>60	0.1/10
>10	>100	0.1/10
~	>150	0.1/10
~	>24	0.1/10
~	30	0.1/10
~	60	0.1/10
~	100	0.1/10
~	150	0.1/10
~	>150	0.1/10
±0.15	±0.30	±2°
±0.20	±0.30	±2°
±0.30	±0.50	±2°
±0.70	±1.00	±2°
±1.30	±1.30	±2°

DRAWING TYPE	CUSTOMER DRAWING
SCALE	1:1
SHEET	1 OF 1
DRAWING NO.	W15000312

- Material
 - ØHousing : PA66, UL94V-0
 - ØCover : PA66, UL94V-0
 - ØReed : Stainless steel
 - ØPin header : Copper alloy, Tin plated

- Electrical
 - UL IEC
 - Rated voltage : 300V 750V
 - Rated current : 5A 15A
 - Contact resistance : 20mΩ(Max)

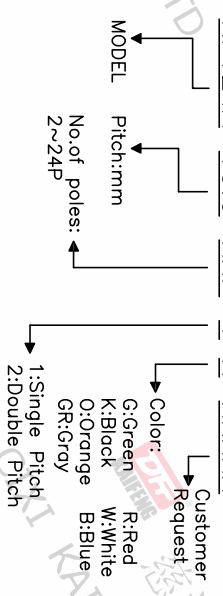
- Mechanical
 - Insulation resistance : 500MΩ/DC500V
 - Withstanding Voltage : AC2000V/1min
 - Wire range : 20-18AWG 1.5mm²

- Operating temperature: -40°C ~ +105°C
- Soldering temperature: 250°C ±5/5sec
- Strip length: 9-10mm

- RoHS compliance

HOW TO ORDER

KF124A-10.0-XXP-1 X-XXXXX



TITLE KF124A-10.0-XXP-1X

SHEET SIZE A4

SERIES KF124A

DF 慈溪市凯峰电子有限公司
CIXI KAIFENG ELECTRONICS CO.,LTD