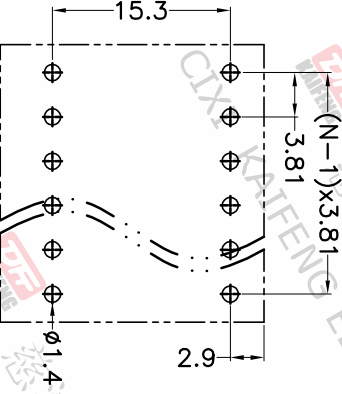
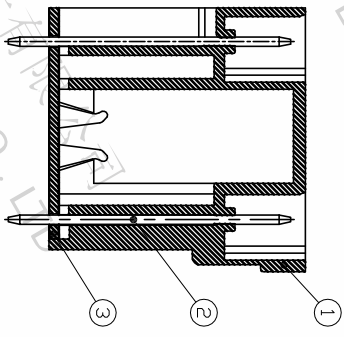
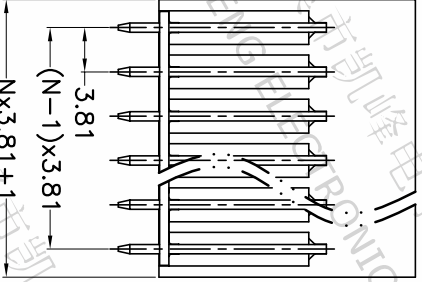
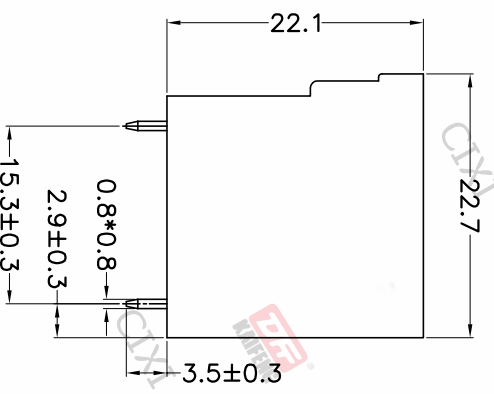
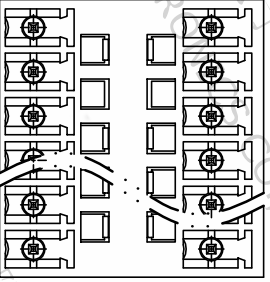


| REV. | DESCRIPTION | DATE      | DRAFTER | APPROVER |
|------|-------------|-----------|---------|----------|
| A1   | DWG.REL     | 2020.5.20 | ZHANG   | JIN      |



P.C.B. LAYOUT

| Pitch range | Nominal dimension range | PROJECTION |
|-------------|-------------------------|------------|
| >0          | >0                      | 0.1/10     |
| ~6          | ~30                     | ≤          |
| ~10         | ~60                     | ±2°        |
| ~24         | ~100                    |            |
| ~30         | ~150                    |            |
| ±0.15       | ±0.30                   |            |
| ±0.20       | ±0.50                   |            |
| ±0.30       | ±0.70                   |            |
|             | ±1.00                   |            |
|             | ±1.30                   |            |

| DRAWING TYPE | CUSTOMER DRAWING |
|--------------|------------------|
| SCALE        | 1:1              |
| SHEET        | 1 OF 1           |
| DRAWING NO.  | W10001682        |

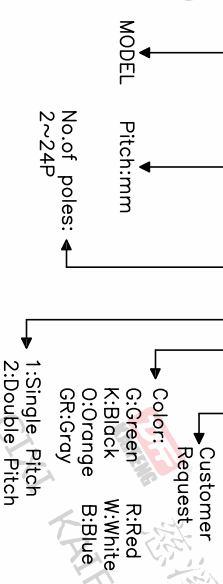
- Material  
 ①Housing : PA66, UL94V-0  
 ②Pin header : Copper alloy, Tin plated  
 ③Cover : PA66, UL94V-0

- Electrical  
 UL IEC  
 Rated voltage : 300V 250V  
 Rated current : 8A 7A  
 Contact resistance : 20mΩ(Max)  
 Insulation resistance: 500MΩ/DC500V  
 Withstanding Voltage : AC1500V/1min

- Mechanical  
 Operating temperature: -40°C~+105°C  
 Soldering temperature:250°C±5/5sec

- RoHS compliance

HOW TO ORDER  
 KF1025V-3.81-2\*XXP-1 X-XXXXX



| TITLE                 | PROJECTION | UNIT | SHEET SIZE | SERIES  |
|-----------------------|------------|------|------------|---------|
| KF1025V-3.81-2*XXP-1X | ①          | mm   | A4         | KF1025V |

**DFE** 慈溪市凯峰电子有限公司  
 CIXI KAIFENG ELECTRONICS CO.,LTD