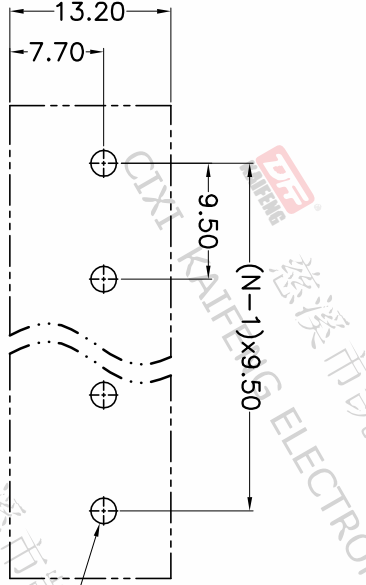
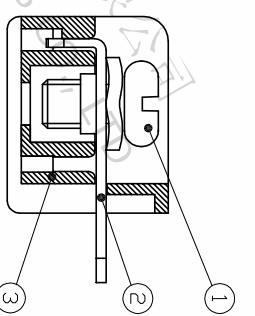
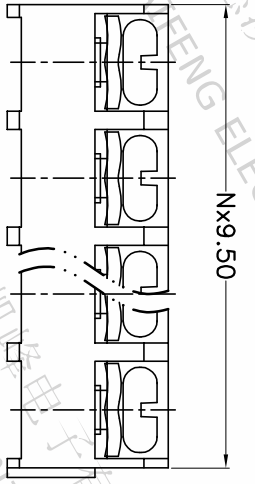
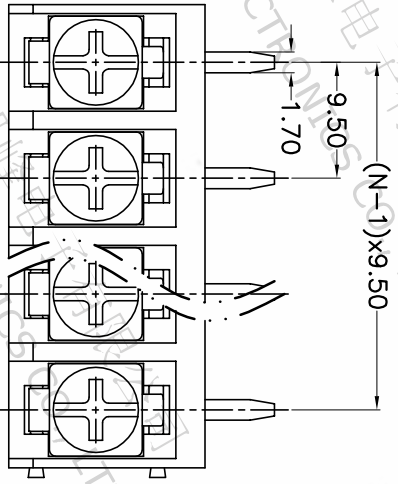


版本	修订内容	日期	绘图	批准
A1	DWG.REL	2020/7/4	张智美	金正发



P.C.B.LAYOUT

- 材质及电镀
  - ① 螺丝: M4. 0, 钢, 镀镍
  - ② 焊针: 黄铜, 0. 8t 镀锡
  - ③ 塑件: PA66, UL94V-0

- 电气性能
 

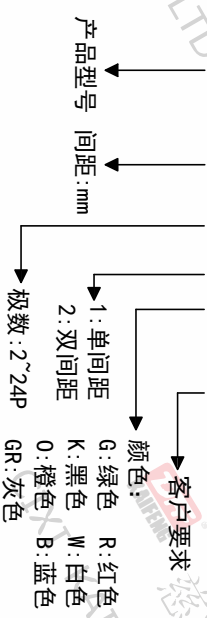
UL	IEC
额定电压: 300V	750V
额定电流: 25A	32A
绝缘电阻: 500MΩ/DC500V	
耐电压: AC2000V/Min	

- 机械性能
  - 温度范围: -40°C ~ +105°C
  - 适用线径: 22-12AWG 4. 0mm<sup>2</sup>
  - 最大扭矩值: 1. 2N. m / 12. 24kgf. cm

• 符合RoHS环保要求

订购方式

HB-950T-9.5-XXP-1 X-XXXX



间距尺寸公差	其他未注尺寸公差	1	2
>0 ~ >6	>0 ~ >30	±0.15	±0.20
>6 ~ >10	>30 ~ >60	±0.30	±0.40
>10 ~ >24	>60 ~ >100	±0.50	±0.70
>24 ~ >30	>100 ~ >150	±0.70	±1.00
>30 ~ >60	>150 ~ >300	±1.00	±1.50
>60 ~ >100	>300 ~ >600	±1.50	±2.00
>100 ~ >150	>600 ~ >1000	±2.00	±3.00
>150 ~ >300	>1000 ~ >1500	±3.00	±4.00
>300 ~ >600	>1500 ~ >3000	±4.00	±5.00
>600 ~ >1000	>3000 ~ >6000	±5.00	±6.00
>1000 ~ >1500	>6000 ~ >10000	±6.00	±7.00
>1500 ~ >3000	>10000 ~ >15000	±7.00	±8.00
>3000 ~ >6000	>15000 ~ >30000	±8.00	±9.00
>6000 ~ >10000	>30000 ~ >60000	±9.00	±10.00
>10000 ~ >15000	>60000 ~ >100000	±10.00	±11.00
>15000 ~ >30000	>100000 ~ >150000	±11.00	±12.00
>30000 ~ >60000	>150000 ~ >300000	±12.00	±13.00
>60000 ~ >100000	>300000 ~ >600000	±13.00	±14.00
>100000 ~ >150000	>600000 ~ >1000000	±14.00	±15.00
>150000 ~ >300000	>1000000 ~ >1500000	±15.00	±16.00
>300000 ~ >600000	>1500000 ~ >3000000	±16.00	±17.00
>600000 ~ >1000000	>3000000 ~ >6000000	±17.00	±18.00
>1000000 ~ >1500000	>6000000 ~ >10000000	±18.00	±19.00
>1500000 ~ >3000000	>10000000 ~ >15000000	±19.00	±20.00
>3000000 ~ >6000000	>15000000 ~ >30000000	±20.00	±21.00
>6000000 ~ >10000000	>30000000 ~ >60000000	±21.00	±22.00
>10000000 ~ >15000000	>60000000 ~ >100000000	±22.00	±23.00
>15000000 ~ >30000000	>100000000 ~ >150000000	±23.00	±24.00
>30000000 ~ >60000000	>150000000 ~ >300000000	±24.00	±25.00
>60000000 ~ >100000000	>300000000 ~ >600000000	±25.00	±26.00
>100000000 ~ >150000000	>600000000 ~ >1000000000	±26.00	±27.00
>150000000 ~ >300000000	>1000000000 ~ >1500000000	±27.00	±28.00
>300000000 ~ >600000000	>1500000000 ~ >3000000000	±28.00	±29.00
>600000000 ~ >1000000000	>3000000000 ~ >6000000000	±29.00	±30.00
>1000000000 ~ >1500000000	>6000000000 ~ >10000000000	±30.00	±31.00
>1500000000 ~ >3000000000	>10000000000 ~ >15000000000	±31.00	±32.00
>3000000000 ~ >6000000000	>15000000000 ~ >30000000000	±32.00	±33.00
>6000000000 ~ >10000000000	>30000000000 ~ >60000000000	±33.00	±34.00
>10000000000 ~ >15000000000	>60000000000 ~ >100000000000	±34.00	±35.00
>15000000000 ~ >30000000000	>100000000000 ~ >150000000000	±35.00	±36.00
>30000000000 ~ >60000000000	>150000000000 ~ >300000000000	±36.00	±37.00
>60000000000 ~ >100000000000	>300000000000 ~ >600000000000	±37.00	±38.00
>100000000000 ~ >150000000000	>600000000000 ~ >1000000000000	±38.00	±39.00
>150000000000 ~ >300000000000	>1000000000000 ~ >1500000000000	±39.00	±40.00
>300000000000 ~ >600000000000	>1500000000000 ~ >3000000000000	±40.00	±41.00
>600000000000 ~ >1000000000000	>3000000000000 ~ >6000000000000	±41.00	±42.00
>1000000000000 ~ >1500000000000	>6000000000000 ~ >10000000000000	±42.00	±43.00
>1500000000000 ~ >3000000000000	>10000000000000 ~ >15000000000000	±43.00	±44.00
>3000000000000 ~ >6000000000000	>15000000000000 ~ >30000000000000	±44.00	±45.00
>6000000000000 ~ >10000000000000	>30000000000000 ~ >60000000000000	±45.00	±46.00
>10000000000000 ~ >15000000000000	>60000000000000 ~ >100000000000000	±46.00	±47.00
>15000000000000 ~ >30000000000000	>100000000000000 ~ >150000000000000	±47.00	±48.00
>30000000000000 ~ >60000000000000	>150000000000000 ~ >300000000000000	±48.00	±49.00
>60000000000000 ~ >100000000000000	>300000000000000 ~ >600000000000000	±49.00	±50.00
>100000000000000 ~ >150000000000000	>600000000000000 ~ >1000000000000000	±50.00	±51.00
>150000000000000 ~ >300000000000000	>1000000000000000 ~ >1500000000000000	±51.00	±52.00
>300000000000000 ~ >600000000000000	>1500000000000000 ~ >3000000000000000	±52.00	±53.00
>600000000000000 ~ >1000000000000000	>3000000000000000 ~ >6000000000000000	±53.00	±54.00
>1000000000000000 ~ >1500000000000000	>6000000000000000 ~ >10000000000000000	±54.00	±55.00
>1500000000000000 ~ >3000000000000000	>10000000000000000 ~ >15000000000000000	±55.00	±56.00
>3000000000000000 ~ >6000000000000000	>15000000000000000 ~ >30000000000000000	±56.00	±57.00
>6000000000000000 ~ >10000000000000000	>30000000000000000 ~ >60000000000000000	±57.00	±58.00
>10000000000000000 ~ >15000000000000000	>60000000000000000 ~ >100000000000000000	±58.00	±59.00
>15000000000000000 ~ >30000000000000000	>100000000000000000 ~ >150000000000000000	±59.00	±60.00
>30000000000000000 ~ >60000000000000000	>150000000000000000 ~ >300000000000000000	±60.00	±61.00
>60000000000000000 ~ >100000000000000000	>300000000000000000 ~ >600000000000000000	±61.00	±62.00
>100000000000000000 ~ >150000000000000000	>600000000000000000 ~ >1000000000000000000	±62.00	±63.00
>150000000000000000 ~ >300000000000000000	>1000000000000000000 ~ >1500000000000000000	±63.00	±64.00
>300000000000000000 ~ >600000000000000000	>1500000000000000000 ~ >3000000000000000000	±64.00	±65.00
>600000000000000000 ~ >1000000000000000000	>3000000000000000000 ~ >6000000000000000000	±65.00	±66.00
>1000000000000000000 ~ >1500000000000000000	>6000000000000000000 ~ >10000000000000000000	±66.00	±67.00
>1500000000000000000 ~ >3000000000000000000	>10000000000000000000 ~ >15000000000000000000	±67.00	±68.00
>3000000000000000000 ~ >6000000000000000000	>15000000000000000000 ~ >30000000000000000000	±68.00	±69.00
>6000000000000000000 ~ >10000000000000000000	>30000000000000000000 ~ >60000000000000000000	±69.00	±70.00
>10000000000000000000 ~ >15000000000000000000	>60000000000000000000 ~ >100000000000000000000	±70.00	±71.00
>15000000000000000000 ~ >30000000000000000000	>100000000000000000000 ~ >150000000000000000000	±71.00	±72.00
>30000000000000000000 ~ >60000000000000000000	>150000000000000000000 ~ >300000000000000000000	±72.00	±73.00
>60000000000000000000 ~ >100000000000000000000	>300000000000000000000 ~ >600000000000000000000	±73.00	±74.00
>100000000000000000000 ~ >150000000000000000000	>600000000000000000000 ~ >1000000000000000000000	±74.00	±75.00
>150000000000000000000 ~ >300000000000000000000	>1000000000000000000000 ~ >1500000000000000000000	±75.00	±76.00
>300000000000000000000 ~ >600000000000000000000	>1500000000000000000000 ~ >3000000000000000000000	±76.00	±77.00
>600000000000000000000 ~ >1000000000000000000000	>3000000000000000000000 ~ >6000000000000000000000	±77.00	±78.00
>1000000000000000000000 ~ >1500000000000000000000	>6000000000000000000000 ~ >10000000000000000000000	±78.00	±79.00
>1500000000000000000000 ~ >3000000000000000000000	>10000000000000000000000 ~ >15000000000000000000000	±79.00	±80.00
>3000000000000000000000 ~ >6000000000000000000000	>15000000000000000000000 ~ >30000000000000000000000	±80.00	±81.00
>6000000000000000000000 ~ >10000000000000000000000	>30000000000000000000000 ~ >60000000000000000000000	±81.00	±82.00
>10000000000000000000000 ~ >15000000000000000000000	>60000000000000000000000 ~ >100000000000000000000000	±82.00	±83.00
>15000000000000000000000 ~ >30000000000000000000000	>100000000000000000000000 ~ >150000000000000000000000	±83.00	±84.00
>30000000000000000000000 ~ >60000000000000000000000	>150000000000000000000000 ~ >300000000000000000000000	±84.00	±85.00
>60000000000000000000000 ~ >100000000000000000000000	>300000000000000000000000 ~ >600000000000000000000000	±85.00	±86.00
>100000000000000000000000 ~ >150000000000000000000000	>600000000000000000000000 ~ >1000000000000000000000000	±86.00	±87.00
>150000000000000000000000 ~ >300000000000000000000000	>1000000000000000000000000 ~ >1500000000000000000000000	±87.00	±88.00
>300000000000000000000000 ~ >600000000000000000000000	>1500000000000000000000000 ~ >3000000000000000000000000	±88.00	±89.00
>600000000000000000000000 ~ >1000000000000000000000000	>3000000000000000000000000 ~ >6000000000000000000000000	±89.00	±90.00
>1000000000000000000000000 ~ >1500000000000000000000000	>6000000000000000000000000 ~ >10000000000000000000000000	±90.00	±91.00
>1500000000000000000000000 ~ >3000000000000000000000000	>10000000000000000000000000 ~ >15000000000000000000000000	±91.00	±92.00
>3000000000000000000000000 ~ >6000000000000000000000000	>15000000000000000000000000 ~ >30000000000000000000000000	±92.00	±93.00
>6000000000000000000000000 ~ >10000000000000000000000000	>30000000000000000000000000 ~ >60000000000000000000000000	±93.00	±94.00
>10000000000000000000000000 ~ >15000000000000000000000000	>60000000000000000000000000 ~ >100000000000000000000000000	±94.00	±95.00
>15000000000000000000000000 ~ >30000000000000000000000000	>10000		