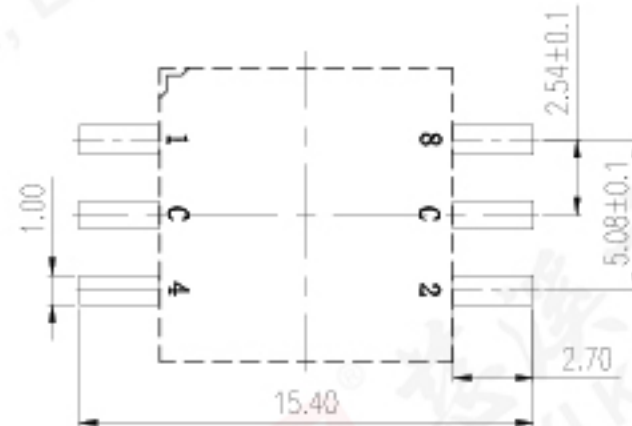
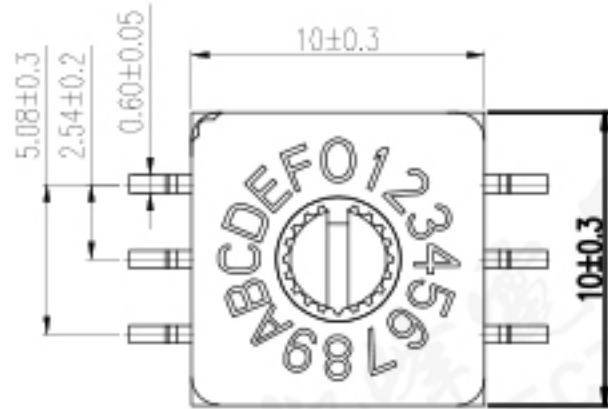
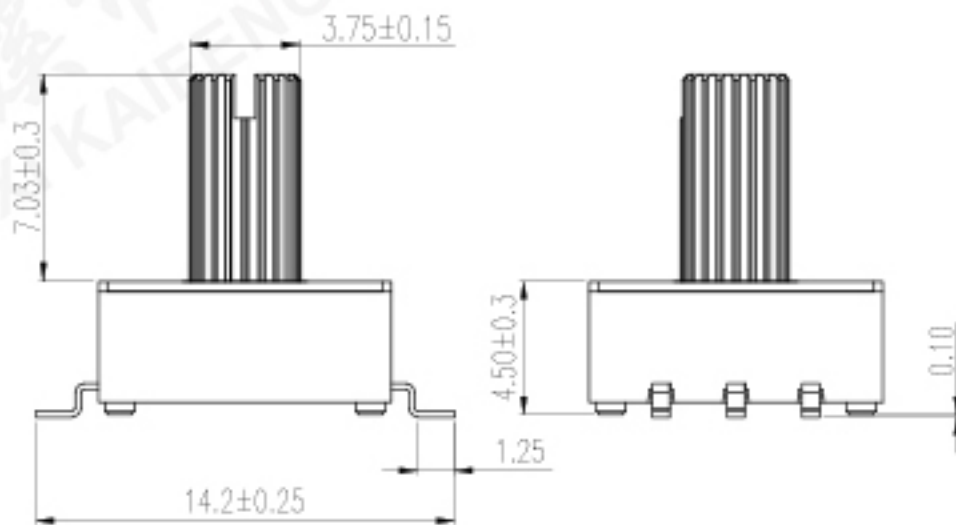


REV	ECN	CONTENT	CHECK	DATE
V0.0		正式发行	PBB	2023.10.20



P.C.B.LAYOUT



**SPECIFICATION:**

- Rating:
  - Switching: 25mA, 24VDC
  - Non-Switching: 100mA, 50VDC
- Contact Resistance:
  - Initial: 100mΩ max
  - After Life Test: 200mΩ max
- Insulation Resistance: 100MΩ min/250 VDC
- Withstand Voltage: 250VAC for 1 minute
- Operation Force: 750gf.cm max
- Mechanical Life: min 10000 steps
- Operation Temperature: -40℃~+80℃
- Storage Temperature: -40℃~+85℃
- RoHS Compliance

**SOLDERING INFORMATION:**

Reflow Soldering: 240℃ (20S max),  
Peak Temperature 260℃,  
Manual Soldering: 30W iron, 320±5℃, 3S max

● ON ○ OFF		HOW TO ORDER: 6KF001 B-3 S 1 0 R 4-0-X X X X	
TYPE	POSITION	CODE	
	100 160	1 2 4 8	
10 STEP	0 0 0	○ ○ ○	○ ○ ○
	9 1 F	● ○ ○	○ ○ ○
	8 2 E	○ ● ○	○ ○ ○
	7 3 D	○ ○ ●	○ ○ ○
	6 4 C	○ ○ ○ ●	○ ○ ○
	5 5 B	○ ○ ○ ○ ●	○ ○ ○
	4 6 A	○ ○ ○ ○ ○ ●	○ ○ ○
	3 7 9	○ ○ ○ ○ ○ ○ ●	○ ○ ○
	2 8 8	○ ○ ○ ○ ○ ○ ○ ●	○ ○ ○
	1 9 7	○ ○ ○ ○ ○ ○ ○ ○ ●	○ ○ ○
16 STEP	A 6	○ ○ ○ ○ ○ ●	○ ○ ○
	B 5	○ ○ ○ ○ ○ ○ ●	○ ○ ○
	C 4	○ ○ ○ ○ ○ ○ ○ ●	○ ○ ○
	D 3	○ ○ ○ ○ ○ ○ ○ ○ ●	○ ○ ○
	E 2	○ ○ ○ ○ ○ ○ ○ ○ ○ ●	○ ○ ○
	F 1	○ ○ ○ ○ ○ ○ ○ ○ ○ ○ ●	○ ○ ○

**HOW TO ORDER:**  
6KF001 B-3 S 1 0 R 4-0-X X X X

A: DIP Type  
B: SMD Type

Special number  
0: Tube  
T: Tape&Reel

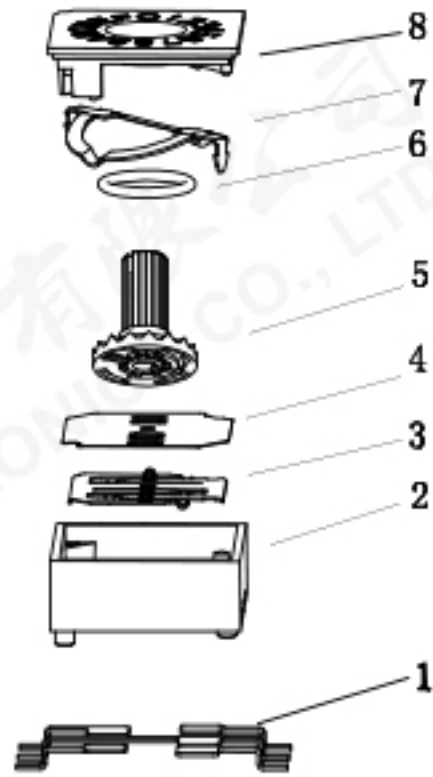
Terminals:  
4: 4X1  
3: 3X3  
2: 3X2

S: Standard (Gray)  
Y: Yellow

4: 4.5mm High  
5: 5.5mm High

R: Real Codes  
C: Printing Reverse

10: 10 steps  
16: 16 steps



8	Cover	Engineering plastic	1	UL94V-0
7	Positioning spring	Stainless steel	1	
6	Seal ring	Silicone	1	
5	Button	Engineering plastic	1	UL94V-0
4	Dustproof spacer	Stainless steel	1	
3	Spring	Copper alloy	1	Gold Plated
2	Base	Engineering plastic	1	UL94V-0
1	Pin	Copper alloy	1	Gold Plated
ITEM	NAME OF PART	NO. OF PART	Q'TY	NOTE

APP.	DATE	NAME	6KF001B-3S16R4-0-7	
CHK.	DATE	DWGNO.		
DWG.	DATE	SHEET	1/1	PROJECTION-METHOD
UNITS	MM	SCALE	1:1	

General tolerance in mm					radii and chamfers			shorter angle side			≡			— //		
over	over	over	over	over	over	over	over	over	up	over	over		over	over	over	
0.5	3	6	30	120	0.5	3	6	to	10	50	all	0	100	150		
to	to	to	to	to	to	to	to	10	50	120		100	150			
3	6	30	120	400	3	6	10				0.5	0.2	0.3	0.5		
±0.15	±0.2	±0.25	±0.3	±0.5	±0.8	±0.2	±0.5	±1.0	±1°	±30'	±20'					

**DF** 慈溪市凯峰电子有限公司  
CIXI KAIFENG ELECTRONICS CO., LTD