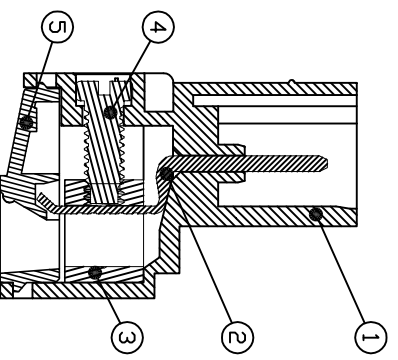
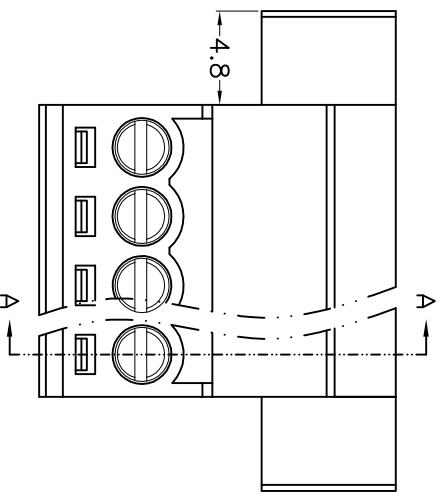
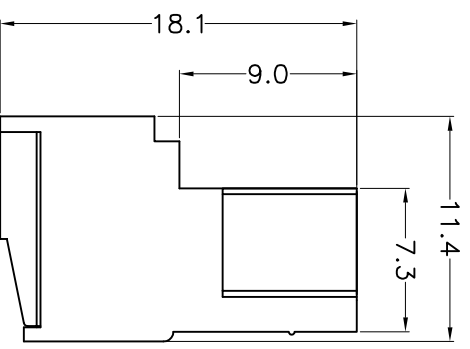
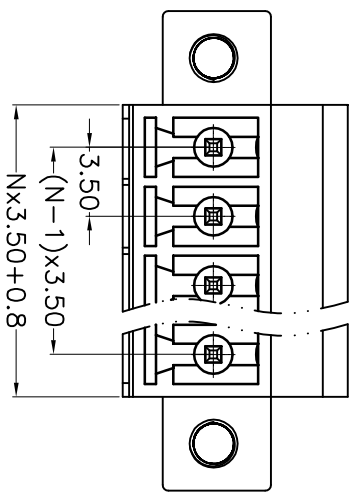
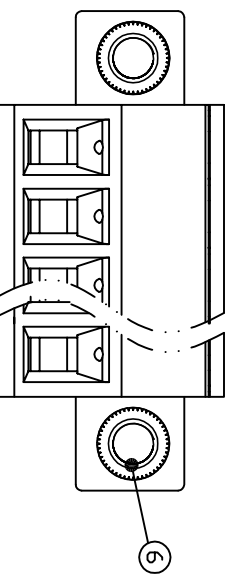


REV.	DESCRIPTION	DATE	DRAFTER	APPROVER
V1.0	DWG.REL	2024.7.29	ZHANG	JIN



SECTION A-A



• Material

- ① Housing : PA66, UL94V-0
- ② Pin header : Copper alloy, Tin plated
- ③ Clamp : Copper alloy, Ni plated
- ④ Screw : M2.0 steel, Zinc plated
- ⑤ Cover : PA66, UL94V-0
- ⑥ Nut : M2.5, Copper alloy

• Electrical

- UL IEC
- Rated voltage : 300V 250V
- Rated current : 8A 7A
- Contact resistance : 20mΩ(Max)
- Insulation resistance : 500MΩ/DC500V
- Withstanding Voltage : AC1500V/1min
- Wire range: 24-16AWG, 0.5-1.5mm<sup>2</sup>

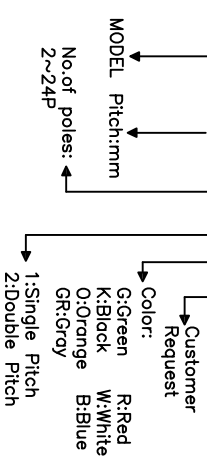
• Mechanical

- Operating temperature: -40°C ~ +105°C
- Soldering temperature: 250°C ±5/5sec
- Torque: 0.2N·m (1.77Lb.in)
- Strip length: 6-7mm

• Conform to REACH and RoHS

HOW TO ORDER

KF12EKRM-3.5-XXP-1 X-XXXXX



Pitch range	Nominal dimension range	PROJECTION	UNIT
>0	>6	0.1/10	mm
~	~		
6	10		
~	~		
24	30		
~	~		
±0.15	±0.20		±2°
±0.30	±0.30		
±0.50	±0.50		
±0.70	±1.00		
±1.30	±1.30		

DRAWING TYPE CUSTOMER DRAWING

SCALE 1:1 SHEET 1 OF 1

DRAWING NO. W10001392

TITLE  
KF12EKRM-3.5-XXP-1X

SHEET SIZE A4

SERIES KF12EKRM

**DF** 慈溪市凯峰电子有限公司  
CIXI KAIFENG ELECTRONICS CO.,LTD